

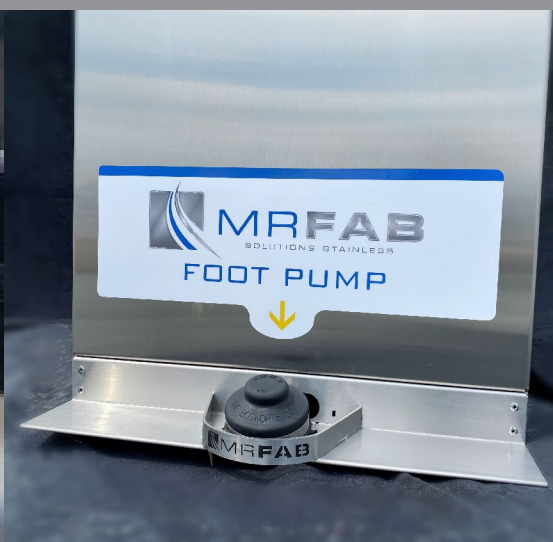
### GENERAL INFORMATION

The **MRSink © 2910 Autonomous hand washing station** is easily transportable with its handle and integrated wheels. Designed for use where hand washing is required such as an office, classroom, construction site, festival, food court, hospital environment, accommodation center, containment or isolation area and more. This compact design allows use almost anywhere. The station is shipped fully assembled and ready to use. Entirely made of stainless steel and with components that meets the requirements of FDA standards.

- Height: 60" (1520 mm)
- Width: 22.5" (572 mm)
- Depth: 23.375" (593 mm)
- Fresh water tank capacity: 20 L (5 gallons)
- Waste water tank capacity: 20 L (5 gallons)
- Number of ml per pumping: 51 ml
- Number of possible washing approx. 100-200
- Curb weight: 80 lbs (36 kg)
- Full weight: 120 lbs (54 kg)



MADE IN  
QUÉBEC



## AVAILABLE OPTIONS

- Stainless side tray 23 L
- Additional tank of fresh water
- Additional tank of waste water
- Connection to running water
- Water heater for temperature 38° - 43°C that works on electrical 110-120v outlet
- Rugged integrated wheels for rough terrain to replace standard regular integrated wheels

## IMPORTANT LABELING REQUIRED BY LAW

- Label on fresh water tank
- Label on waste water tank
- Instructions for use label
- Non-potable and non-drinking water label

## FILLING WITH FRESH WATER

1. Unscrew the tank cap identified fresh water
2. Insert water into the fresh water tank
3. Close the cap with the tube pressed at the bottom of the tank
4. Make sure the drain hose is inserted into the waste water tank
5. Press the foot pump several times to prime the pump
6. Wash your hands

## EMPTY THE WASTE WATER TANK

1. Take out the drain hose and set it aside
2. Put a cap on the tank
3. Take out the tank
4. Empty the tank in a suitable place
5. Flush the tank
6. Remove the plug and put the drain hose back into the tank

## PAPER DISPENSER

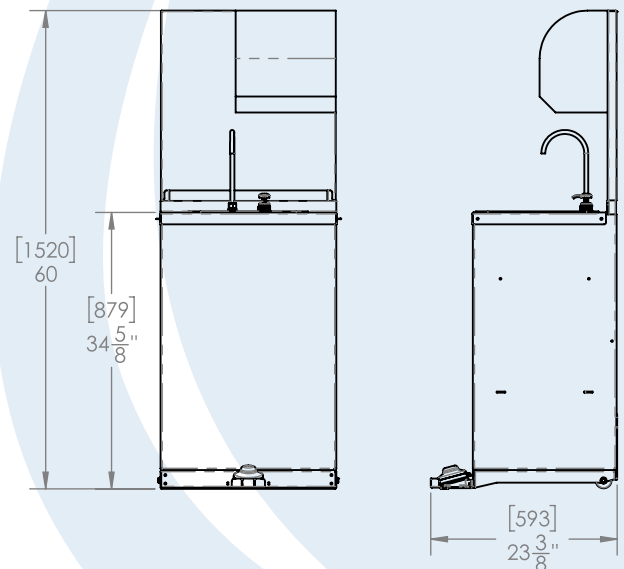
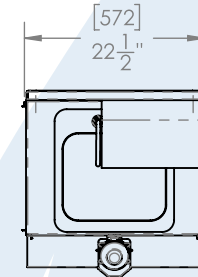
1. Use the key provided to open the machine
2. Remove the empty roller
3. Install a roll 8 " wide and 8 " maximum diameter

## SOAP DISPENSER

1. The soap tank is under the machine and the hose must be inserted into it
2. Pump several times to prime the pump

## WINTERING

1. Empty all tanks
2. Pump repeatedly to empty the hoses
3. Rinsed the tanks with a solution of bleach and water



## CLEANING AND MAINTENANCE

Use mild soap to clean surfaces and parts.  
Using stainless steel cleaner will give you a shiny finish